




<p>Componenti Components</p>		<p>Schienale medio x1 (A) Medium backrest x1 (A)</p>		<p>Sedile x1 (B) Seat x1 (B)</p>				
<p>SERIE GLOBE GLOBE SERIES</p>		<p>Base a 4 gambe x1 (C) Four legged base x1 (C)</p>						



G017 - G018

G037 - G038

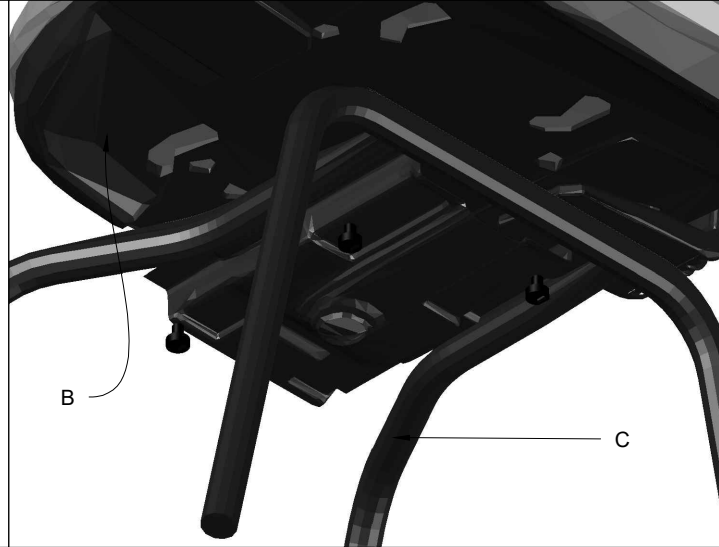
1) Uscire la seduta dalla scatola

1) Extract the chair from the box



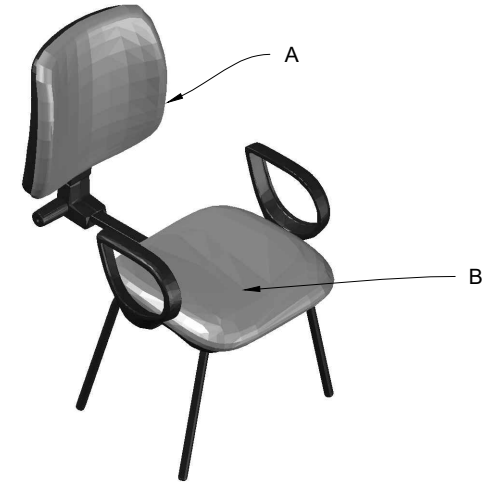
2) Fissare la base a 4 gambe (C) al sedile (B) tramite i bulloni.

2) Fasten the four legged base (C) to the seat (B) by means of the bolts



3) Fissare lo schienale (A) nel sedile (B).

3) Fasten the backrest (A) to the seat (B)



4) Fissaggio dello schienale (A) nella piastra ove si congiungono sedile (B) e base a 4 gambe (C)

4) Fasten the backrest (A) into the seat plate where the seat (B) and four legged base (C) unite

