

<p>Componenti Components</p>		<p>Scocca bassa x1 (A) Low backrest x1 (A)</p>		<p>Scocca bassa x1 (A) Low backrest x1 (A)</p>				
<p>SERIE LEATHER LEATHER SERIES</p>		<p>Base a 4 razze x1 (C) 4 star base x1 (C)</p>		<p>Piastra (E) Plate x1 (E)</p>				



LH111
LH131
LH151



LH112
LH132
LH152

1) Uscire la scocca (A) dalla scatola

1) Extract the body (A), from the box



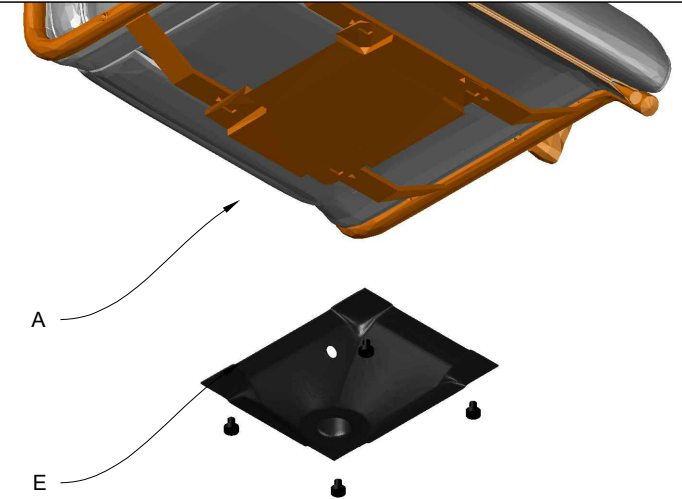
2) Uscire la base (C) e la piastra (E) dalla scatola.

2) Extract the base (C) and the plate (E) from the box



4) Fissare la piastra (E) alla scocca (A) tramite i bulloni.

4) Fasten the plate (E) to the body (A) by means of the bolts



5) Posizionare il cono della piastra (E) nella base (C) in modo da unire la scocca (A) e le parti assemblate precedentemente.

3) Position the cone of the plate (E) on the base (C) to unite the body (A) to the beforehand assembled parts.

