



SEIPO®

Rev. 00
Data Date
24/09/2021

Emissione Issuance
Approvazione Approval

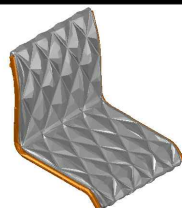
Schema di montaggio

Assembly diagram

Componenti
Components



Scocca bassa
x1 (A)
Low backrest
x1 (A)



Scocca bassa
x1 (A)
Low backrest
x1 (A)

SERIE
ROMBO
ROMBO
SERIES



Base a 4
razze x1 (C)
4 star base x1
(C)



Piastra x1 (E)
Plate x1 (E)



R012 - R031



R014 - R032

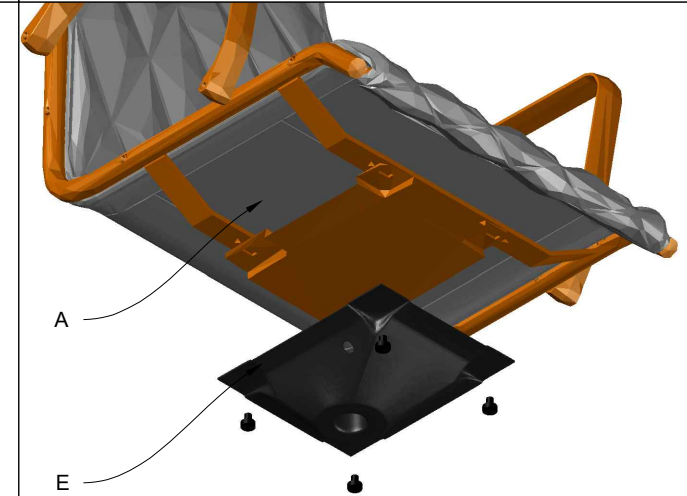
- 1) Uscire la scocca (A) dalla scatola
1) Extract the body (A) from the box



- 2) Uscire la base (C) e la piastra (E) dalla scatola.
2) Extract the base (C) and the plate (E) from the box



- 4) Fissare la piastra (E) alla scocca (A) tramite i bulloni.
4) Fasten the plate (E) to the body (A) by means of the bolts



- 5) Posizionare il cono della piastra (E) nella base (C) in modo da unire la scocca (A) e le parti assemblate precedentemente.
3) Position the cone of the plate (E) on the base (C) to unite the body (A) to the beforehand assembled parts.

